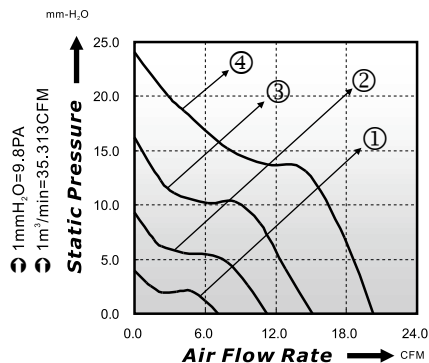


38x38x28mm

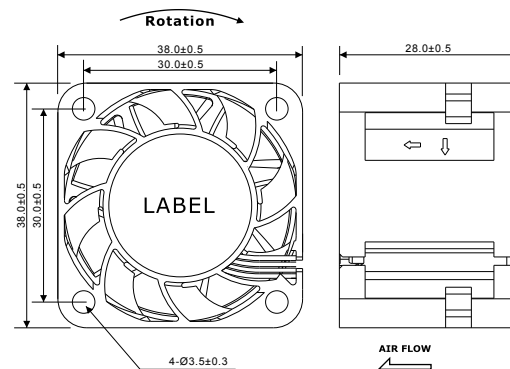


■ P-Q Curve (At Rated Voltage)



■ Dimensions Drawing

Unit: (mm)



Model No	Bearing (*)	Rated Voltage (VDC)	Rated Current (A)	Power Consumption (Watts)	Speed (rpm)	Air Flow (CFM)	Static Pressure (mmH ₂ O)	Noise (dBA)	Curve
ED03828-12LB	●	12	0.20	2.40	6000	7.11	3.98	27.8	1
ED03828-12MB	●	12	0.40	4.80	9000	11.24	9.33	36.2	2
ED03828-12HB	●	12	0.60	7.20	12000	15.11	16.20	43.0	3
ED03828-12HHB	●	12	0.80	9.60	15000	20.28	24.06	48.0	4
ED03828-24LB	●	24	0.12	2.88	6000	7.11	3.98	27.8	1
ED03828-24MB	●	24	0.25	6.00	9000	11.24	9.33	36.2	2
ED03828-24HB	●	24	0.45	10.80	12000	15.11	16.20	43.0	3

* Bearing Type: ○ Sleeve ● Two Ball ○ Hydro-Dynamic